

Benefits of the ICF, Insulated Concrete Forms, Construction Method



Wiseco Development Corp.

92-759 Lihau Street
Kapolei, HI 96707

Phone/Cell **(808) 778-7270**

Fax **(808) 672-6432**

E-mail:

talktotim@hawaii.rr.com

Web Site at:

<http://www.wdcicf.com>

The insulated concrete forms, ICF, green construction method represents a technological breakthrough in the way that houses, walls and other buildings are made. This brochure reveals the numerous benefits that you can experience through utilizing this cutting edge technology.

Because there are so many benefits, this brochure presents them in several categories. These categories include a comfortable environment, safe and secure structures, cost effective building method, versatile and flexible building method.

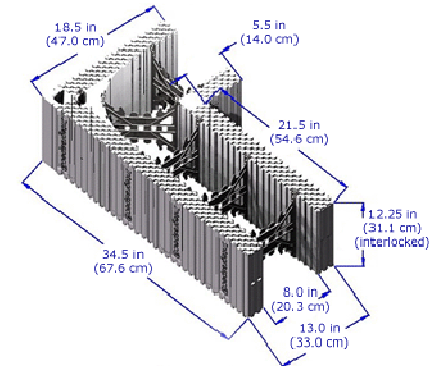
This brochure also explains your various options on how to tap into these many benefits. For instance you can be or hire an experienced contractor. Or you can get training and build it yourself. We provide some free training locally and other free resources are also available to our customers. Customers can also receive free onsite technical assistance.

General Information

- Who benefits from ICF?
 - The home or building owner
 - Inexperienced home builders
 - Seasoned professional contractors
- A proven technology, with a track record spanning over 30 years.
- The benefits are well documented online and in construction and building industry literature.

Comfortable Environment

- ICF buildings are very quiet.
- ICF buildings are comfortable whether it is hot or cold outside.
- Temperature is evenly distributed in ICF buildings.
- Because the thick insulation these buildings are not clammy and they are designed not accumulate water like conventional concrete structures.



Insulating Concrete Forms Wall Construction Showing Corner Details
IntegraSpec Illustration, www.integraspec.com

Safe & Secure Structures

- ICF buildings are super strong. There is a documented case of an ICF home being hit by a car going 90 mph. Shortly thereafter the same house was assaulted by 165 mph hurricane gusts. The home only sustained cosmetic damage and was easily fixed.
- The ICF construction method produces longer lasting structures. ICF buildings are not vulnerable to termite or rotting like wood structures. They require less maintenance than wood structures. They are also not susceptible to rusting like steel stud construction.

- Homes built with ICF are much better at surviving fires, floods or other types of severe weather conditions.
- Because of their excellent track record, most insurance companies will offer discounts for buildings made with ICF construction.



Insulating Concrete Forms Roof Structure, Walls & Floor Construction

Versatile & Flexible Method

- Integraspec products can facilitate buildings that are higher than three stories. Other product lines currently do not have this capability.
- Integraspec products offer greater design flexibility than other ICF product. This increased flexibility also helps when installing piping and electrical systems.

Cost Effective and Green Building Method

- ICF house require about half the air conditioning and heating requirements of a regular home. So you save big on installation as well as operational costs. Thus ICF construction produces environmentally friendly buildings.
- The products are easy to use. This drives down labor cost and can reduce the chances of injury.

- The ICF styrofoam forms are lighter and much easier to handle than conventional plywood forms.
- The ICF forms remain with the building or wall. The building or wall is not stripped of it's concrete forms.
- The ICF method is cost competitive with other construction methods.
- Green method helps to save the planet.



Three Story Insulating Concrete Forms Wall Construction, Note the Stacked Styrofoam Form Panels

ICF Benefits Summary

The primary ICF method benefits are:

- Nine times stronger
- Four times more fire resistant
- Three times more sound resistant
- Two times more energy efficient
- Nine times greater comfort
- Long lasting buildings
- Safe in severe weather conditions
- Low maintenance, no structural problems caused termites or wood rot

There is no question about it, the ICF method is absolutely a better way to build houses, walls & other structures.

Integraspec ICF Products & ICF Training & Helps

- Wiseco Development Corp. is the Hawaii distributor for the cutting edge Integraspec product line.
- Integraspec advanced ICF products are the result of several successful product development cycles. Their products are easier to use and offer greater flexibility than the older genres of ICF products.
- Beside materials Wiseco also offers ICF construction orientation and some free training.

"A recent Insulating Concrete Forms (I. C. F.) home of ours, constructed in the Makiki Heights community, was featured locally on KITV Channel 4. This report stated that ICF (Insulating Concrete Forms) construction is the new trend in concrete home building in Hawaii. This featured project may well be the first home in America which boasts a cast in place concrete 4/12 full pitch roof with three different ridge elevations."

For more details

visit our company's website at <http://www.wdcicf.com>

or email us at talktotim@hawaii.rr.com

or call, write or fax us (see below)

Wiseco Development Corp.
92-759 Lihau Street
Kapolei, HI 96707

Phone/Cell **(808) 778-7270**
Fax **(808) 672-6432**